



Ecosys FS-1020D

PARTS LIST

Published on October 29, 2003
842FM120

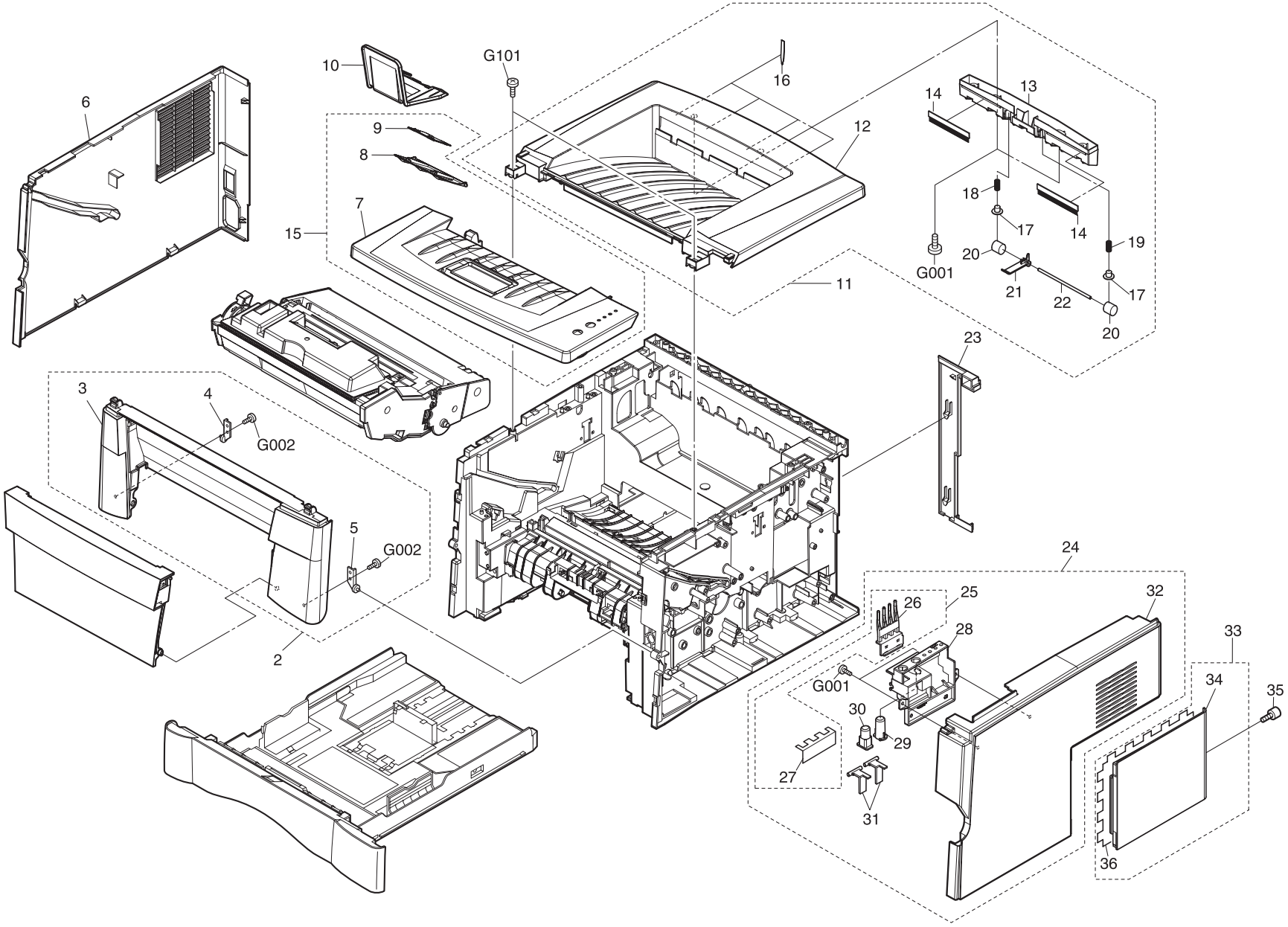
Contents

Enclosures (01-)	3
Upper Frame Unit (02-)	5
Process Unit (03-)	9
Drive Unit (04-)	11
Paper Feed Unit / Laser Scanner Unit (05-)	13
Fuser Unit (06-)	16
Paper Cassette (07-)	18
Duplex Unit (08-)	20
Packing Assemblies	22

Note on Ordering

- Sp means service parts that are available for ordering.

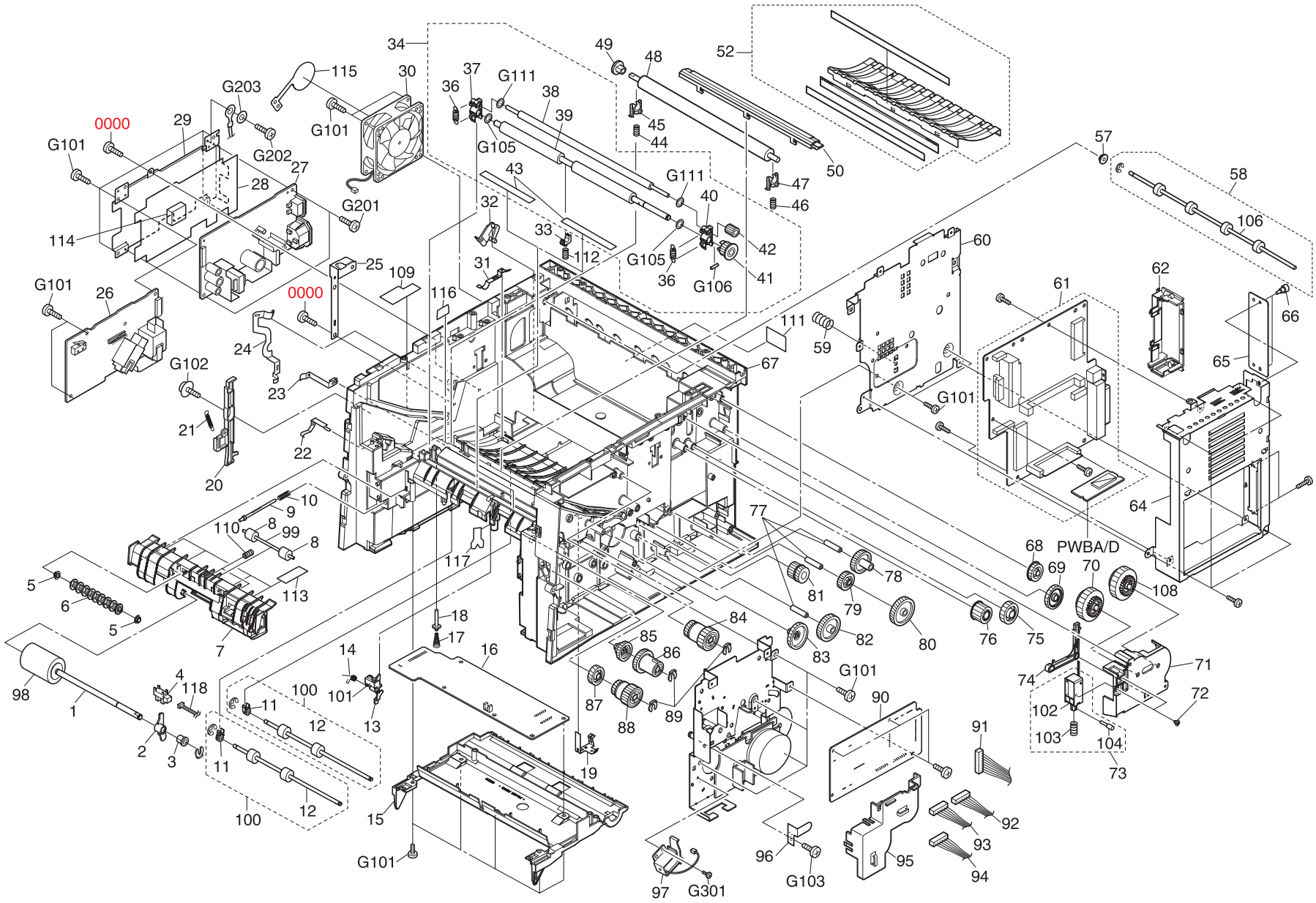
1. Enclosures (01-)



List 1 - Enclosures (01-)

Ref. No.	Part Code	Description	Applicable Model	SP	120V	230V	Remarks
01-002	2FM68230	COVER FRONT ASSY		X	1	1	
01-003	2FM04080	COVER FRONT		-	1	1	
01-004	5MVX422DN005	HINGE FRONT L		-	1	1	
01-005	5MVX422DN006	HINGE FRONT R		-	1	1	
01-006	2FM04020	COVER LEFT		X	1	1	
01-007	2FM04040	LID TOP		-	1	1	
01-008	2FM04070	STOPPER FD		X	1	1	
01-009	2FM04130	TRAY FD SUB		X	1	1	
01-010	2FM04140	TRAY LGL		X	1	1	
01-011	2FM68200	COVER TOP ASSY		X	1	1	
01-012	2FM04031	COVER TOP		-	1	1	
01-013	2FM04050	COVER FD		-	1	1	
01-014	2FM04090	DISCHARGER FD		X	1	1	
01-015	2FM68210	LID TOP ASSY		X	1	1	
01-016	2FM04160	SHEET FD		X	4	4	
01-017	2FM04150	CAP SPRING		-	2	2	
01-018	2FM04100	SPRING PULLEY A		-	1	1	
01-019	2FM04100	SPRING PULLEY A		-	1	1	
01-020	2FM02210	PULLEY MID		X	2	2	
01-021	2FM04060	ACTUATOR PAPER		X	1	1	
01-022	2FM02420	SHAFT PULLEY		-	1	1	
01-023	5MVB851SH003	COVER REAR SIDE		X	1	1	
01-024	2FM68220	COVER RIGHT ASSY		X	1	1	
01-025	5AAY3010E+51	GUIDE LED KIT		X	1	1	
01-026	5MVX643AC001	GUIDE LED		-	1	1	
01-027	5MVL421CB001	SHEET LED		-	1	1	
01-028	2FM04120	HOLDER PANEL		-	1	1	
01-029	5MVX444SH001	BUTTON A		X	1	1	
01-030	5MVX444SH002	BUTTON B		X	1	1	
01-031	5MVX322SN002	LEVER BUTTON		X	1	1	
01-032	2FM04010	COVER RIGHT		-	1	1	
01-033	5AAY3010E+47	COVER DIMM ASSY		X	1	1	
01-034	5MVB773CH001	COVER DIMM		X	1	1	
01-035	5MMT263SN012	SCREW OP		X	1	1	
01-036	5MMX761LD002	PLATE SHIELD		-	1	1	

2. Upper Frame Unit (02-)



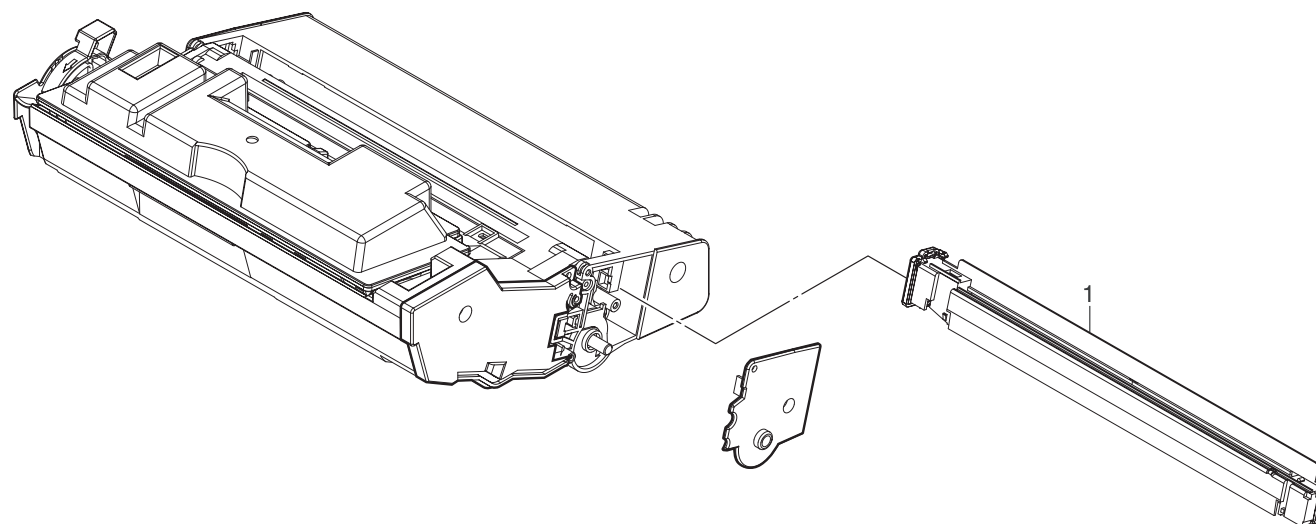
List 2 - Upper Frame Unit (02-)

Ref. No.	Part Code	Description	Applicable Model	SP	120V	230V	Remarks
02-001	5MMT766SN007	SHAFT FEED		-	1	1	
02-002	2FM02150	ACTUATOR PE		X	1	1	
02-003	5MVM176DN026	BUSH FEED		X	3	3	
02-004	2C927210	SENSOR 248NL1		X	1	1	
02-005	5MVM161DW001	BUSH PULLEY FEED		X	2	2	
02-006	2FM02170	PULLEY FEED		X	1	1	
02-007	2FM02050	FRAME FEED		-	1	1	
02-008	2FM02210	PULLEY MID		X	2	2	
02-009	5MVT653DW001	PIN CASSETTE		-	1	1	
02-010	5MMW341LD005	SPRING PIN CASSETTE		-	1	1	
02-011	5MVX211DB016	BUSH EXIT		X	2	2	
02-012	2FM02440	ROLLER MIDDLE		X	2	2	
02-013	2FM02130	ACTUATOR REGIST		X	1	1	
02-014	2FM02460	SPRING ACTUATOR		-	1	1	
02-015	2FM02080	COVER PWB		-	1	1	
02-016	2FM01110	P.W.BOARD ASSY (BIAS)		X	1	1	
02-017	5MMW361LD015	SPRING PIN BIAS		-	1	1	
02-018	5MMT365SN003	PIN CONTACT BIAS		-	1	1	
02-019	2FM02400	PLATE EARTH BRUSH		-	1	1	
02-020	5MVX721DN001	LEVER INTERLOCK		-	1	1	
02-021	5MMW351LD006	SPRING INTERLOCK		-	1	1	
02-022	5MMX532LD005	CONTACT EARTH REG		-	1	1	
02-023	2DC26100	CONTACT TRANSFER		-	1	1	
02-024	5MMX632LD008	CONTACT MAIN MR		-	1	1	
02-025	2DC26080	GROUND PLATE SR		-	1	1	
02-026	2FM27040	TRANS ASSY		X	1	1	
02-027	2FM28120	SWITCHING REGULATOR(E)		X	-	1	
02-027	2FM28130	SWITCHING REGULATOR(U)		X	1	-	
02-028	5MVS765KF001	SHEET SW REG		-	1	1	
02-029	5MMX773SL001	PLATE SW REG		-	1	1	
02-030	2DC23010	FAN COOLING		X	1	1	
02-031	2FM02410	PLATE EARTH DU		-	1	1	
02-032	5MVX322SB020	ACTUATOR FUSER B		-	1	1	
02-033	2FM02180	BUSH REGIST C		X	1	1	
02-034	2FM68270	REGIST KIT		X	1	1	
02-036	5MMW261LD023	SPRING REGIST R		X	2	2	
02-037	2FM02620	BUSH REGIST L		X	1	1	
02-038	5MMT865SN010	ROLLER REGIST UP		-	1	1	
02-039	2FM02430	ROLLER REGIST LOW		X	1	1	

Ref. No.	Part Code	Description	Applicable Model	SP	120V	230V	Remarks
02-040	2FM02630	BUSH REGIST R		X	1	1	
02-041	5MVG127DB047	GEAR REGIST Z20		X	1	1	
02-042	5MVG126DB025	GEAR REGIST Z13		X	1	1	
02-043	2FM02470	SHEET REGIST		X	2	2	
02-044	5MMW251LD043	SPRING TC L		X	1	1	
02-045	5MVX221DB023	BUSH TC L		X	1	1	
02-046	2DC16040	SPRING TC R		X	1	1	
02-047	5MVX221DW008	BUSH TC R		X	1	1	
02-048	2FM14060	ROLLER TRANSFER C	Incl. KMTW / Excl. Philippines	X	-	1	
02-048	2FM14070	ROLLER TRANSFER I	Excl. KMTW / Incl. Philippines	X	1	-	
02-049	5MVG127DB048	GEAR TC Z18		X	1	1	
02-050	2FM02040	PAPER SHUTE LOW		-	1	1	
02-052	2FM68330	PLATE EARTH GUIDE ASSY		-	1	1	
02-057	5MVM176DW001	BUSH EXIT		X	1	1	
02-058	2FM68340	ROLLER EXIT UP ASSY		X	1	1	
02-059	5MMW271LD010	SPRING FREE		-	1	1	
02-060	2FM02360	PLATE CONTROLLER		-	1	1	
02-061	2FM01030	P.W.BOARD ASSY (MAIN)		X	1	1	
02-062	5MVX654SL001	GUIDE OPTION SLOT		-	1	1	
02-064	5MMB775SL014	BOX CONTROLLER		-	1	1	
02-065	5MMS664SX001	PLATE OPTION		-	1	1	
02-066	5MMT263SN012	SCREW OP		X	1	1	
02-067	2FM02030	FRAME BASE		-	1	1	
02-068	2FM02340	GEAR Z23		X	1	1	
02-069	2FM02320	GEAR FD Z31		X	1	1	
02-070	2FM68250	GEAR CLUTCH ASSY A		X	1	1	
02-071	2FM02090	HOLDER GEAR CLUTCH		-	1	1	
02-072	5MMT143SZ014	STUD SCREW M3		-	2	2	
02-073	2FM68350	SOLENOID ASSY		X	1	1	
02-074	2FM20050	LEVER SOLENOID		-	1	1	
02-075	2FM02330	GEAR Z28		X	1	1	
02-076	2FM02350	GEAR Z22		X	1	1	
02-077	5MMT364SN003	PIN DRIVE		X	1	1	
02-078	5MVG148DN047	GEAR Z34S		X	1	1	
02-079	5MVG138DN041	GEAR FREE Z25S		X	1	1	
02-080	5MVG148DN046	GEAR FREE Z40H		X	1	1	
02-081	2FM02250	GEAR Z21H-Z21S		X	1	1	
02-082	5MVG148DN045	GEAR Z38H		X	1	1	
02-083	2FM02260	GEAR MID Z37S		X	1	1	
02-084	5AAVCLTCH016	CLUTCH REGIST		X	1	1	
02-085	2FM02240	GEAR MID Z25S		X	1	1	

Ref. No.	Part Code	Description	Applicable Model	SP	120V	230V	Remarks
02-086	5AAVCLTCH017	CLUTCH MPF		X	1	1	
02-087	2FM02230	GEAR Z24S		X	1	1	
02-088	2DC06010	CLUTCH FEED		X	1	1	
02-089	5MVX111DN003	RING STOPPER		X	4	4	
02-090	2FM01140	P.W.BOARD ASSY ENGINE		X	1	1	
PWBA/D	2FM01130	P.W.BOARD ASSY DIMM		X	1	1	
02-091	2FM26020	CONN.CORD ASSY (M-E)		-	1	1	
02-092	2FM26010	CONN.CORD ASSY (E-B) Y		-	1	1	
02-093	2FM26070	CONN.CORD ASSY (E-B) H		-	1	1	
02-094	2DC27110	CONN.CORD ASSY (E-MO)		-	1	1	
02-095	5MVB663SB048	COVER CORD		-	1	1	
02-096	5MMX332LD013	PLATE EARTH MPF		-	1	1	
02-097	5EZSA2402410301	SOLENOID FEED		X	1	1	
02-098	2DC06030	ROLLER FEED ASSY		X	1	1	
02-099	2FM02420	SHAFT PULLEY		-	1	1	
02-100	2FM68310	ROLLER MIDDLE ASSY		X	2	2	
02-101	2FM02160	HOLDER ACTUATOR		-	1	1	
02-102	2FM02550	SOLENOID DU		-	1	1	
02-103	2FM02480	SP LEVER SOLENOID		-	1	1	
02-104	2FM02640	PIN ASSY		-	1	1	
02-106	2FM02450	ROLLER EXIT UP		-	1	1	
02-108	2FM68260	GEAR CLUTCH ASSY B		-	1	1	
02-109	2DC02100	FILM PS LOW		-	1	1	
02-110	2FM02530	SPRING PULLEY C		-	1	1	
02-111	2FM20080	LABEL FUSER CAUTION		-	1	1	
02-112	2FM02580	SPRING REGIST C		X	1	1	
02-113	2FM02750	SHEET GUIDE B		X	1	1	
02-114	2FM02680	PAD PWB		-	1	1	
02-115	2FM02660	SEAL FAN		X	1	1	
02-116	2FM02730	SPACER TRANSFER		-	1	1	
02-117	2FM02760	SHEET FRAME		-	1	1	
02-118	2FM26030	CONN.CORD ASSY (PE)		-	1	1	

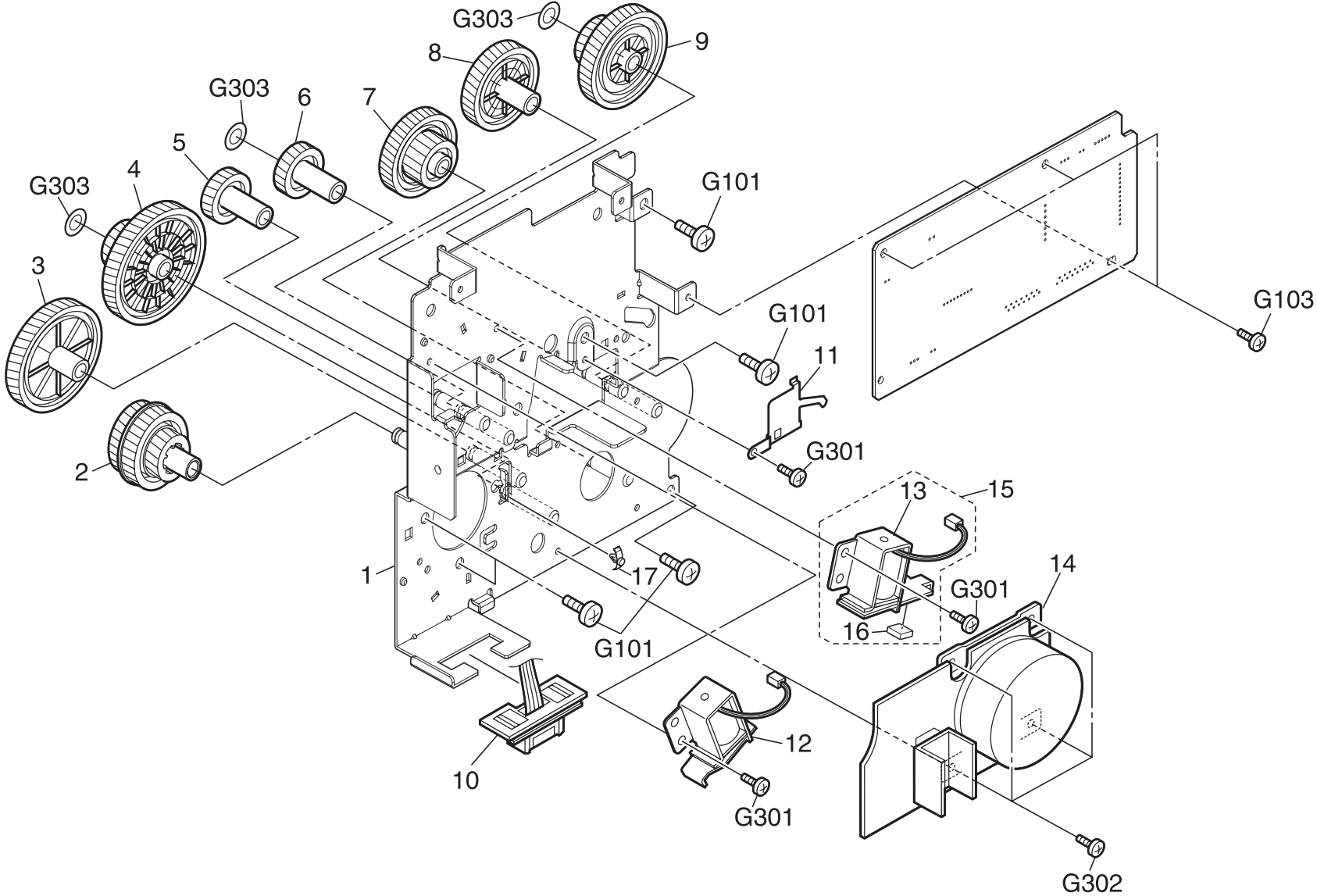
3. Process Unit (03-)



List 3 - Process Unit (03-)

Ref. No.	Part Code	Description	Applicable Model	SP	120V	230V	Remarks
	2FM93090	PU-102 PROCESS UNIT		X	1	1	
03-001	5PLPXU5AEKX	MC-40 MCH ASSY		X	1	1	

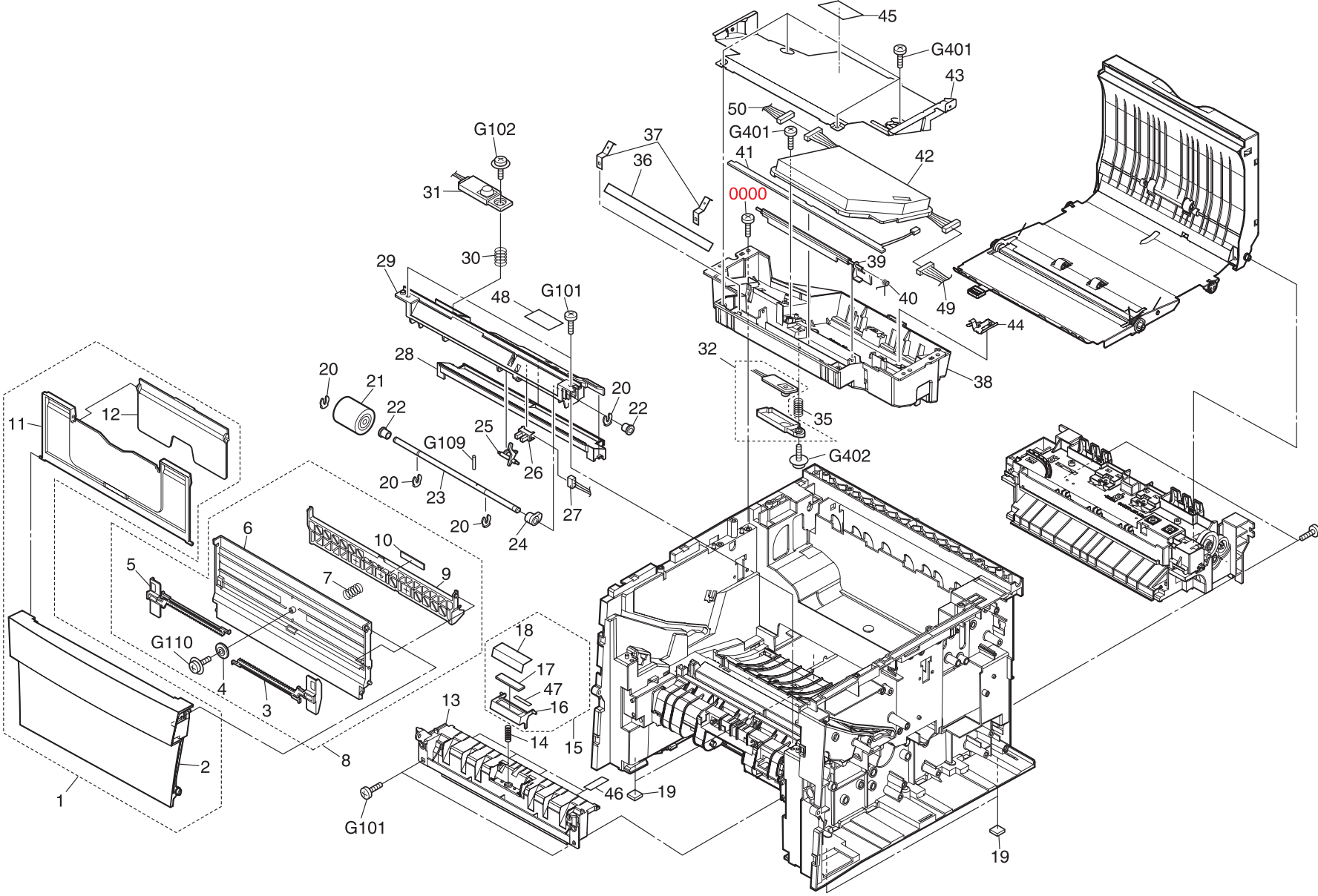
4. Drive Unit (04-)



List 4 - Drive Unit (04-)

Ref. No.	Part Code	Description	Applicable Model	SP	120V	230V	Remarks
	2FM93040	DR-101 DRIVE UNIT		X	1	1	
04-001	2DC22020	MOUNT MACHINE DRIVE		-	1	1	
04-002	2FM02220	GEAR Z36H-Z21H-Z34S		X	1	1	
04-003	5MVG169DN033	GEAR Z53H		X	1	1	
04-004	5MVG169DN032	GEAR Z95H-Z21H		X	1	1	
04-005	5MVG137DN029	GEAR Z21H		X	1	1	
04-006	5MVG138DN042	GEAR Z24H		X	1	1	
04-007	5MVG168DN017	GEAR Z68H-Z21H		X	1	1	
04-008	5MVG148DN044	GEAR Z40H		X	1	1	
04-009	2DC22030	GEAR 48/21		X	1	1	
04-010	5AACCNRM1GEA	CONN.CORD ASSY (M-PF)		-	1	1	
04-011	5MMX521LD005	PLATE EARTH DRUM		-	1	1	
04-012	5EZSA2402410501	SOLENOID MPF		X	1	1	
04-013	5EZSA2402410401	SOLENOID REGIST		-	1	1	
04-014	2FM27010	MOTOR MAIN		X	1	1	
04-015	2FM68290	SOLENOID REGIST ASSY		X	1	1	
04-016	5MVS217SN002	PAD SOLENOID		-	1	1	
04-017	M2108800	SPACER,KGPS-3.5S(KITAGAWA)		-	1	1	

5. Paper Feed Unit / Laser Scanner Unit (05-)

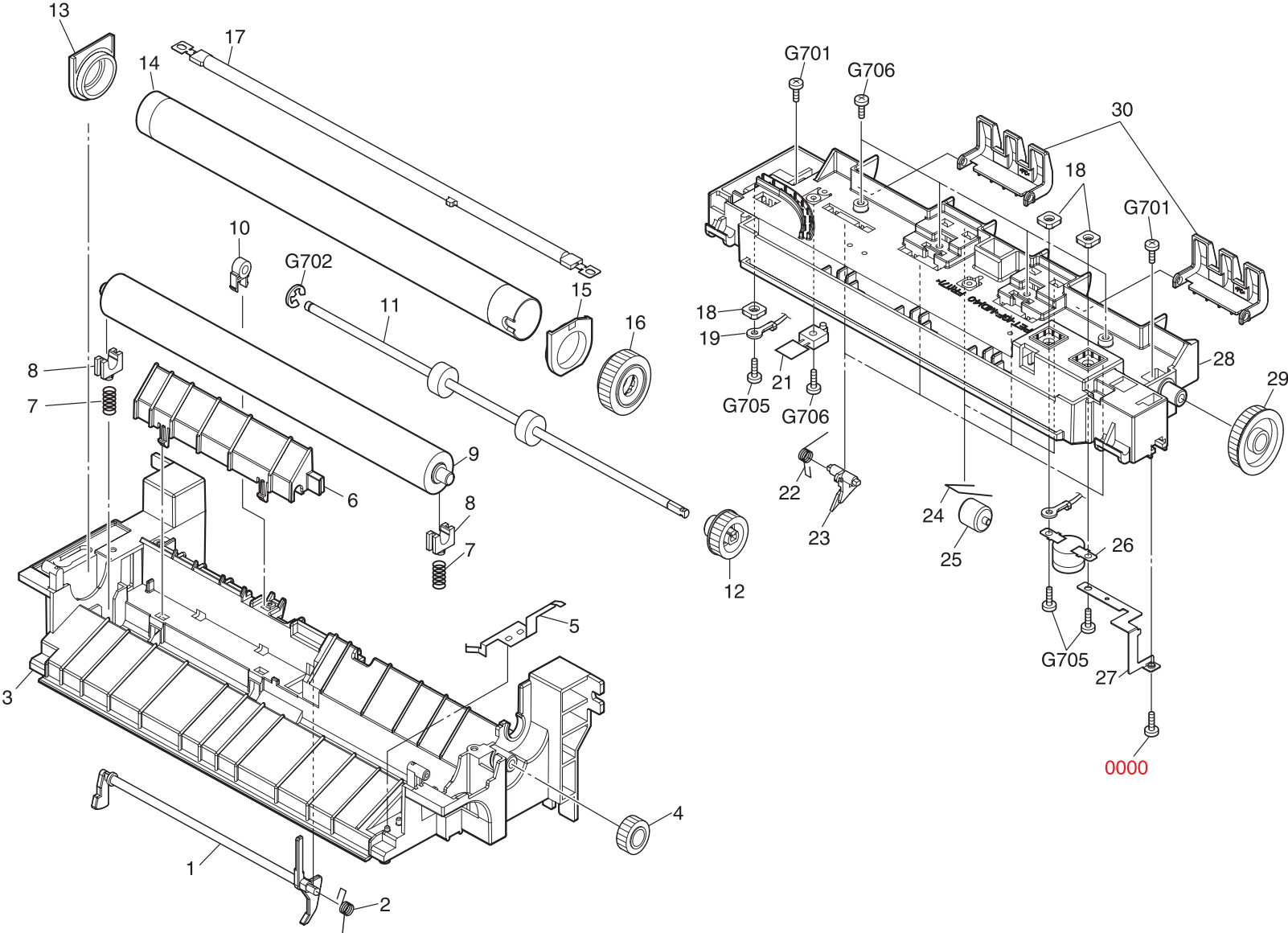


List 5 - Paper Feed Unit / Laser Scanner Unit (05-)

Ref. No.	Part Code	Description	Applicable Model	SP	120V	230V	Remarks
05-001	2BP00050	COVER MPF ASSY		X	1	1	
05-002	2BP06040	COVER MPF		-	1	1	
05-003	5MVX752SH002	GUIDE MPF R		-	1	1	
05-004	5MVG137DN032	GEAR MPF		-	1	1	
05-005	5MVX752SH003	GUIDE MPF L		-	1	1	
05-006	5MVB872SH019	BASE MPF		-	1	1	
05-007	2FM06030	SPRING BOTTOM MPF		-	1	1	
05-008	2FM00020	BASE MPF ASSY		X	1	1	
05-009	2A806670	BOTTOM PLATE MPF		-	1	1	
05-010	2A806680	PAD BOTTOM MPF		-	1	1	
05-011	5MVX861SH004	TRAY MPF A		-	1	1	
05-012	5MVX751SH001	TRAY MPF B		-	1	1	
05-013	2FM02060	GUIDE TURN B		-	1	1	
05-014	5MMW261LD038	SPRING SEPA MPF		-	1	1	
05-015	2FM68300	SEPARATOR MPF ASSY		X	1	1	
05-016	5MVX522DB004	SEPARATOR MPF		-	1	1	
05-017	5MVS416XN001	PAD SEPARATOR MPF		-	1	1	
05-018	5MVS431TX001	TAPE SEPARATOR		-	1	1	
05-019	5MVS228RB019	FOOT		X	4	4	
05-020	5MVX111DN003	RING STOPPER		X	3	3	
05-021	5AAVR0LL*045	ROLLER MPF ASSY		X	1	1	
05-022	5MVM176DN026	BUSH FEED		X	1	1	
05-023	5MMT766SN008	SHAFT MPF		-	1	1	
05-024	5MVX221DN014	CAM MPF R		-	1	1	
05-025	5MVX432DB010	ACTUATOR MPF		X	1	1	
05-026	2C927210	SENSOR 248NL1		X	1	1	
05-027	5AACCNRM0GEA	CONN.CORD ASSY (MPF)		-	1	1	
05-028	2FM02100	PAPER CHUTE UP		-	1	1	
05-029	2FM02070	HOLDER MP FEED		-	1	1	
05-030	5MMW261LD036	SPRING TE SENSOR		-	1	1	
05-031	2DC68090	TE SENSOR ASSY		X	1	1	
05-032	2DC68100	FULL SENSOR ASSY		X	1	1	
05-035	2DC13040	SPRING FULL SENSOR		-	1	1	
05-036	2DC13030	MIRROR LSU		-	1	1	
05-037	5MMX221LD024	SPRING MIRROR		-	1	1	
05-038	2DC02040	FRAME MIDDLE		-	1	1	
05-039	2DC13020	SHUTTER LSU		-	1	1	
05-040	5MMW341LD006	SPRING SHUTTER LSU		-	1	1	
05-041	2DC01170	P.W.BOARD ASSY (LED)		X	1	1	

Ref. No.	Part Code	Description	Applicable Model	SP	120V	230V	Remarks
05-042	2FM93110	LK-101 LASER SCANNER UNIT		X	1	1	
05-043	2DC26070	SHIELD LSU		-	1	1	
05-044	2DC26110	PLATE EARTH LSU		-	1	1	
05-045	5MVVL661WN34	LABEL LASER CAUTION		-	1	1	
05-046	5MVS312KF011	SHEET GUIDE		X	4	4	
05-047	2FM02710	SPACER PAD		-	1	1	
05-048	2FM02670	SEAL MP FEED		-	1	1	
05-049	2FM26080	CONN.CORD ASSY (M-L)		-	1	1	
05-050	2DC27140	CONN.CORD ASSY (E-L)		-	1	1	

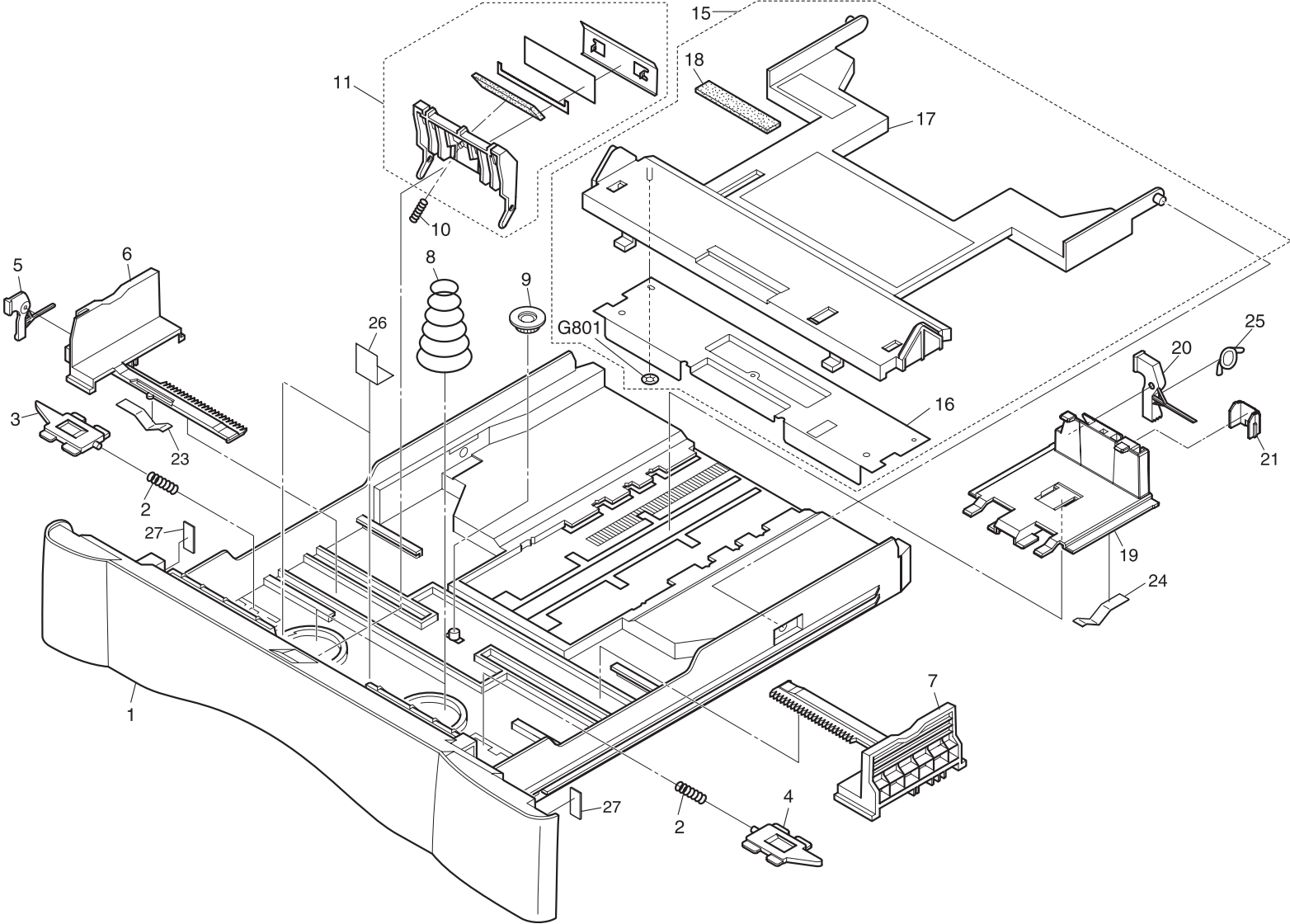
6. Fuser Unit (06-)



List 6 - Fuser Unit (06-)

Ref. No.	Part Code	Description	Applicable Model	SP	120V	230V	Remarks
	2FM93010	FK-101(E) FUSER UNIT(E)		X	-	1	
	2FM93020	FK-101(U) FUSER UNIT(U)		X	1	-	
06-001	2FM20041	ACTUATOR FUSER A		X	1	1	
06-002	5MMW261LD017	SPRING ACTUATOR		-	1	1	
06-003	2FM20011	FRAME FUSER LOW		-	1	1	
06-004	5MVG127DN070	GEAR IDLE Z18		X	1	1	
06-005	5MMX665LD004	PLATE EARTH FUSER		-	1	1	
06-006	2FM20030	GUIDE FUSER LOW		-	1	1	
06-007	2DC20010	SPRING PRESS ROLLER		X	2	2	
06-008	2BY20070	BUSH PRESS		X	2	2	
06-009	2DC20060	ROLLER PRESS		X	2	2	
06-010	5MVX211DB016	BUSH EXIT		X	1	1	
06-011	2FM20090	ROLLER EXIT LOW		X	1	1	
06-012	5MVG137DN031	GEAR EXIT Z23		X	1	1	
06-013	5MVM188XN016	BUSH HEAT L		X	1	1	
06-014	2BY20010	ROLLER HEAT		X	1	1	
06-015	5MVM188XN015	BUSH HEAT R		X	1	1	
06-016	5MVG148XN008	GEAR HEAT Z33		X	1	1	
06-017	2FM27020	HEATER LAMP E		X	-	1	
06-017	2FM27030	HEATER LAMP U		X	1	-	
06-018	2BY20050	NUT FUSER A		-	3	3	
06-019	2BY27560	CONN.CORD ASSY (HEAT E)		-	-	1	
06-019	2BY27570	CONN.CORD ASSY (HEAT U)		-	1	-	
06-021	2DC20050	THERMISTOR FUSER		X	1	1	
06-022	5MMW261LD055	SPRING SEPARATOR		X	4	4	
06-023	5AAVSEPRT015	SEPARATOR ASSY		X	4	4	
06-024	5MMW601LD011	SPRING PULLEY		-	2	2	
06-025	5MVM273DB005	PULLEY EXIT		X	2	2	
06-026	5EYFFQ16001++01	THERMOSTAT 250V 160		X	1	1	
06-027	2FM20060	HOLDER LAMP		-	1	1	
06-028	2FM20020	FRAME FUSER UP		-	1	1	
06-029	5MVG148XN009	GEAR IDLE Z34		X	1	1	
06-030	2FM02190	GUIDE CHANGE		-	2	2	

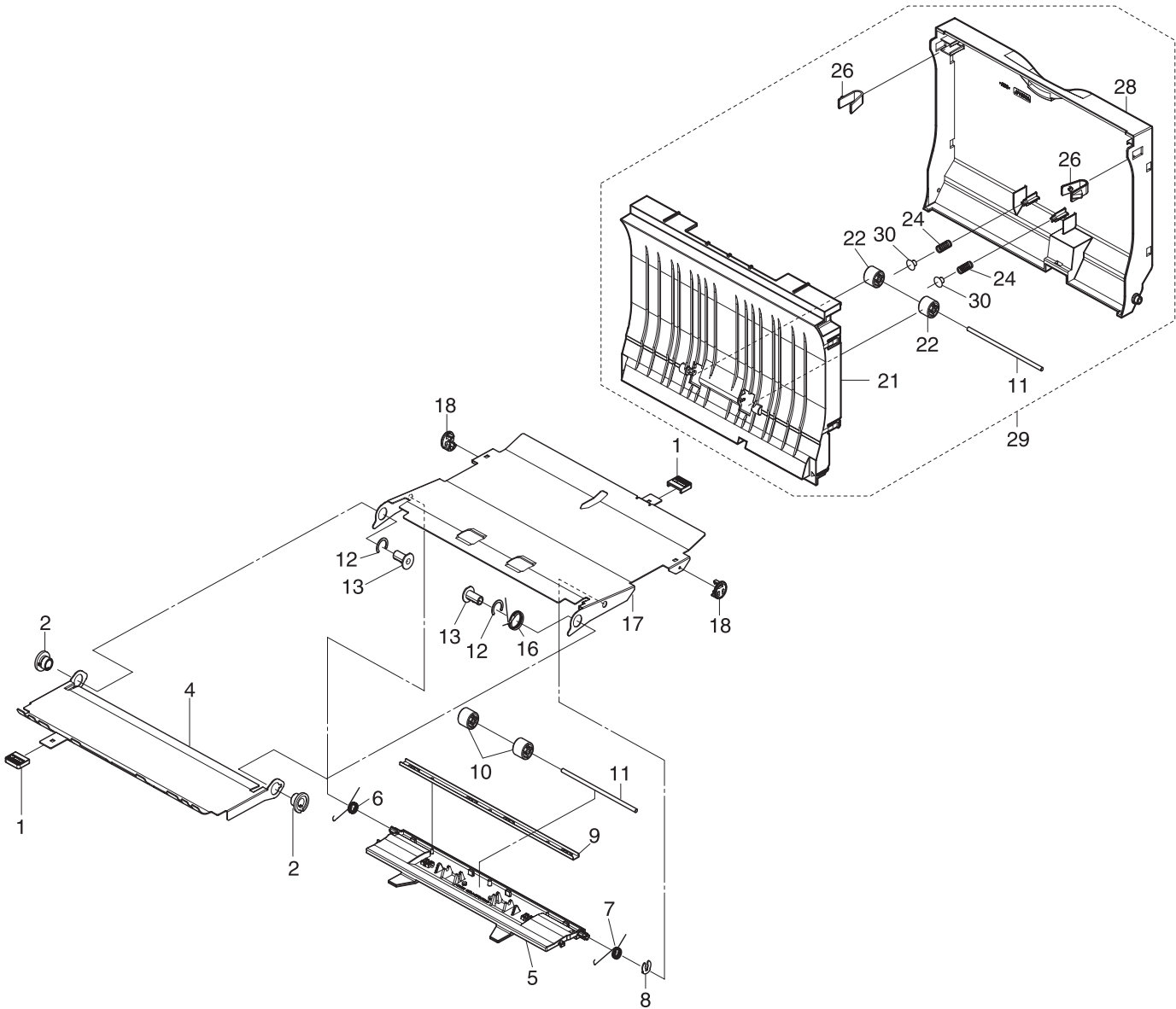
7. Paper Cassette (07-)



List 7 - Paper Cassette (07-)

Ref. No.	Part Code	Description	Applicable Model	SP	120V	230V	Remarks
	2FM93080	CT-101(A4) CASSETTE ASSY A4	Incl. KMTW / Excl. Philippines	X	-	1	
	2FM93100	CT-101(LTR) CASSETTE ASSY LTR	Excl. KMTW / Incl. Philippines	X	1	-	
07-001	5MVB886SH063	BASE CASSETTE		-	1	1	
07-002	5MMW251LD045	SPRING LOCK		-	2	2	
07-003	5MVX431DW002	LOCK CASSETTE L		-	1	1	
07-004	5MVX431DW001	LOCK CASSETTE R		-	1	1	
07-005	5MVX541DG003	LEVER SIDE		-	1	1	
07-006	2FM06010	GUIDE SIDE L		-	1	1	
07-007	2FM06020	GUIDE SIDE R		-	1	1	
07-008	2DC07030	SPRING CASSETTE		X	2	2	
07-009	5MVG127DN071	GEAR CASSETTE		-	1	1	
07-010	5MMW251LD047	SPRING SEPARATOR C		X	1	1	
07-011	2FM68320	SEPARATOR PAPER ASSY		X	1	1	
07-015	5AAVB0T0M009	BOTTOM CASSETTE KIT		X	1	1	
07-016	5MMS856SL001	PLATE BOTTOM		-	1	1	
07-017	5MVX882SH002	BOTTOM CASSETTE		-	1	1	
07-018	5MVS616XN001	PAD BOTTOM		-	1	1	
07-019	2DC07010	STOPPER PAPER		-	1	1	
07-020	5MVX541DG002	LEVER REAR		-	1	1	
07-021	2DC07020	POSITIONING FOLIO PAPER		-	1	1	
07-023	5MMP141LD002	PLATE SIDE GUIDE		-	1	1	
07-024	5MMP141LD003	PLATE STOPPER		-	1	1	
07-025	5MMW171LD006	SPRING STOPPER		-	1	1	
07-026	5MVL311KF003	SHEET CASSETTE		-	1	1	
07-027	5MVS315CN001	SPACER CASSETTE		-	1	1	

8. Duplex Unit (08-)



List 8 - Duplex Unit (08-)

Ref. No.	Part Code	Description	Applicable Model	SP	120V	230V	Remarks
08-001	2FM02690	LEVER DU		-	2	2	
08-002	2FM02140	BUSH DU		-	2	2	
08-004	2FM02380	COVER DU A		-	1	1	
08-005	2FM21010	HOLDER DU		-	1	1	
08-006	2FM02510	SPRING HOLDER L		-	1	1	
08-007	2FM02520	SPRING HOLDER R		-	1	1	
08-008	5MVX1111DN003	RING STOPPER		X	1	1	
08-009	2FM21020	STAY DU		-	1	1	
08-010	2FM02210	PULLEY MID		X	2	2	
08-011	2FM02420	SHAFT PULLEY		-	2	2	
08-012	D4103700	C STOP RING		-	2	2	
08-013	2FM21030	STOPPER BUSH		-	2	2	
08-016	2FM02500	SPRING DU R		-	1	1	
08-017	2FM02390	COVER DU B		-	1	1	
08-018	2FM21050	COLLER DU		-	2	2	
08-021	2FM02120	GUIDE FD		-	1	1	
08-022	2FM02600	PULLEY MID B		X	2	2	
08-024	2FM04100	SPRING PULLEY A		-	2	2	
08-026	2FM02200	LOCK FD		-	2	2	
08-028	2FM02110	COVER REAR		-	2	2	
08-029	2FM68240	REAR COVER ASSY		X	1	1	
08-030	2FM04150	CAP SPRING		-	2	2	

9. Packing Assemblies

Ref. No.	Part Code	Description	Applicable Model	SP	120V	230V	Remarks
	2FM77020	PACKING ASSY E		X	-	1	
	2FM77030	PACKING ASSY U		X	1	-	
	5KKF656260B4	POLY BAG		X	1	1	

KYOCERA MITA EUROPE B.V.

Hoeksteen 40, 2132 MS Hoofddorp,
The Netherlands
Phone: +31.(0)20.654.000
Home page: <http://www.kyoceramita-europe.com>
Email: info@kyoceramita-europe.com

KYOCERA MITA NEDERLAND B.V.

Hoeksteen 40 2132 MS Hoofddorp
The Netherlands
Phone: +31.(0)20.587.7200

KYOCERA MITA (UK) LTD.

8 Beacontree Plaza
Gillette Way,
Reading Berks RG2 0BS, UK
Phone: +44.(0)118.931.1500

KYOCERA MITA ITALIA S.P.A.

Via Verdi 89 / 91 20063 Cernusco sul Naviglio,
Italy
Phone: +39.02.92179.1

S.A. KYOCERA MITA BELGIUM N.V.

Hermesstraat 8A 1930 Zaventem Belgium
Phone: +32.(0)2.720.9270

KYOCERA MITA FRANCE S.A.

Parc Les Algorithmes
Saint Aubin
91194 GIF-SUR-YVETTE
France
Phone: +33.(0)1.6985.2600

KYOCERA MITA ESPAÑA S.A.

Edificio Kyocera, Avda de Manacor N. 2,
Urb. Parque Rozas 28290 Las Rozas,
Madrid, Spain
Phone: +34.(0)91.631.8392

KYOCERA MITA FINLAND OY

Kirvesmiehenkatu 4 00810 Helsinki,
Finland
Phone: +358.(0)9.4780.5200

KYOCERA MITA (SCHWEIZ) AG

Holzliwisen Industriestrasse 28
8604 Volketswil, Switzerland
Phone: +41.(0)1.908.4949

KYOCERA MITA DEUTSCHLAND GMBH

Mollsfeld 12 D-40670 Meerbusch,
Germany
Phone: +49.(0)2159.918.0

KYOCERA MITA GMBH AUSTRIA

Eduard-Kittenberger Gasse 95
1230 Wien, Austria
Phone: +43.(0)1.86338.0

KYOCERA MITA SVENSKA AB

Box 1402 171 27 Solna, Sweden
Phone: +46.(0)8.546.550.00

KYOCERA MITA NORGE

Postboks 150 Oppsal, NO 0619 Oslo
Olaf Helsetsvai 6, NO 0694 Oslo
Phone: +47.(0)22.62.73.00

KYOCERA MITA DANMARK A/S

Hovedkontor: Slotsmarken 11,
DK-2970 Hørsholm, Denmark
Phone: +45.(70)22.3880

KYOCERA MITA PORTUGAL LDA.

Rua de Campolide 55-5 Dt 1070-029
Lisboa, Portugal
Phone: +351.(0)21.032.0900

KYOCERA MITA SOUTH AFRICA (PTY) LTD.

527 Kyalami Boulevard,
Kyalami Business Park 1685 Midrand South
Phone: +27.(0)11.466.3290

KYOCERA MITA AMERICA, INC.

Headquarters:
225 Sand Road, P.O. Box 40008,
Fairfield, New Jersey 07004-0008,
U.S.A.
Phone: (973) 808-8444

KYOCERA MITA AUSTRALIA PTY. LTD.

Level 3, 6-10 Talavera Road, North Ryde,
N.S.W. 2113 Australia
Phone: (02) 9888-9999

KYOCERA MITA NEW ZEALAND LTD.

1-3 Parkhead Place, Albany
P.O. Box 302 125 NHPC, Auckland,
New Zealand
Phone: (09) 415-4517

KYOCERA MITA (THAILAND) CORP., LTD.

9/209 Ratchada-Prachachem Road,
Bang Sue, Bangkok 10800, Thailand
Phone: (02) 586-0320

KYOCERA MITA SINGAPORE PTE LTD.

121 Genting Lane, 3rd Level,
Singapore 349572
Phone: 67418733

KYOCERA MITA HONG KONG LIMITED

11/F., Mita Centre,
552-566, Castle Peak Road,
Tsuen Wan, New Territories,
Hong Kong
Phone: 24297422

KYOCERA MITA TAIWAN CORPORATION

7F-1~2, No.41, Lane 221, Gangchi Rd.
Neihu District, Taipei, Taiwan, 114. R.O.C.
Phone: (02) 87511560

KYOCERA MITA CORPORATION

2-28, 1-chome, Tamatsukuri, Chuo-ku
Osaka 540-8585, Japan
Phone: (06) 6764-3555
<http://www.kyoceramita.com>

© 2003 KYOCERA MITA CORPORATION

 is a trademark of Kyocera Corporation